



How to connect GV-EV48 to a third-party Wiegand reader

Article ID: GV4-14-10-14-t

Release Date: 10/14/2014

Applied to

GV-EV48 V1.1.1 or later

GV-Wiegand Capture

Summary

You can connect GV-EV48 to a third-party Wiegand reader using a GV-Wiegand Capture.

First, connect the GV-Wiegand Capture to the Wiegand reader, and then connect GV-EV48 to the GV-Wiegand Capture through RS485 connection.

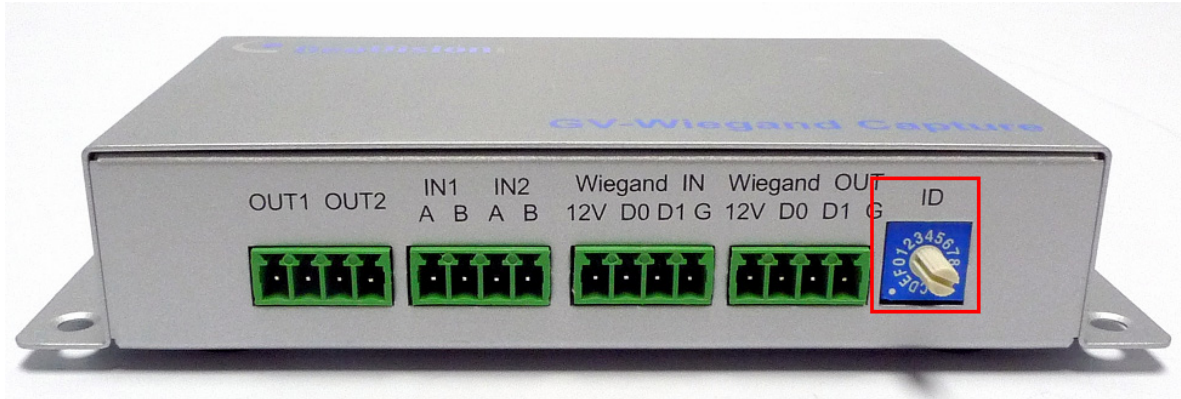




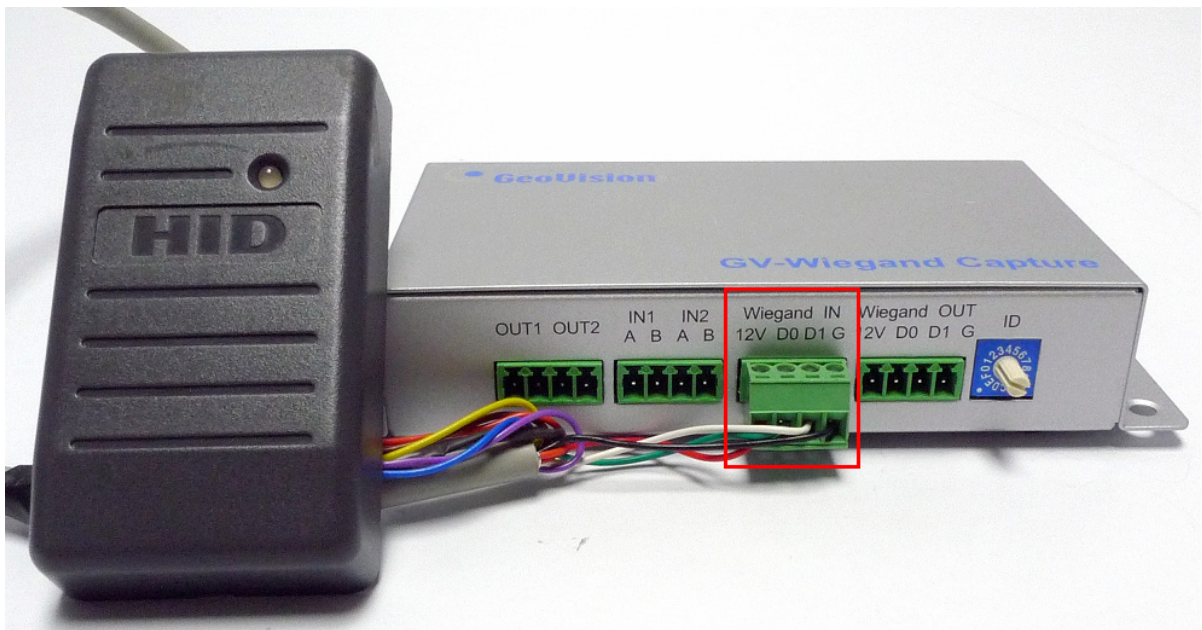
Instructions

Physical Connection

1. Set the hardware ID on GV-Wiegand Capture to 0 or 1.

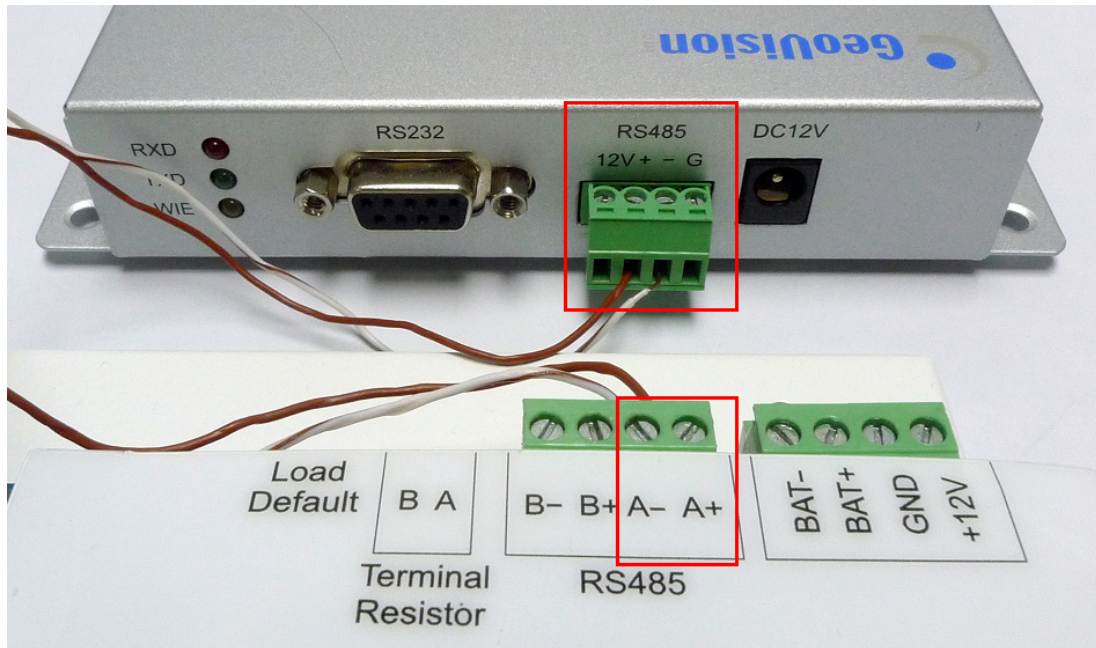


2. Connect the Wiegand reader to the **Wiegand IN** interface of GV-Wiegand Capture as shown below.





3. Connect the RS485 pins of GV-Wiegand Capture to the RS485 A+/- pins of GV-EV48.



Note: The RS485 B+/- pins on GV-EV48 are not functional.

Settings on GV-EV48's Web Interface

4. Log into the Web interface of GV-EV48 by typing its IP address in Internet Explorer. The default ID and password are admin / admin.
5. In the left menu, click **Other Setting** and make sure the firmware is of version V1.1.1 or later.

<ul style="list-style-type: none"> Basic Setting <ul style="list-style-type: none"> • Network Setting • Other Setting • Firmware Update • Account Setting Advanced Setting <ul style="list-style-type: none"> • Function Setting • Elevator Parameter • Time Setting Extended Device <ul style="list-style-type: none"> • Extended Reader 	Other Configuration		
	3DES Code		
	3DES Code1	<input type="password" value="....."/>	(characters 8 ~ 24)
	3DES Code2	<input type="text"/>	(option)
	3DES Code3	<input type="text"/>	(option)
	Device Port		
	Device Port	<input type="text" value="4000"/>	(from 1025 to 65535)
	Mac Address / Firmware Version		
	Mac Address	00:13:e2:09:83:ed	
	Firmware Version	V1.1.1-20140414	
Reboot System / Set Default			
Reboot System	<input type="button" value="Reboot"/>		
Default Value	<input type="button" value="Default"/>		

6. In the left menu, click **Extended Reader**.



- In the upper section, select the checkbox of ID0 or ID1 according to the setting in step 1.

EV48 Extended Reader Configuration

GV-Reader/CR420/GF1921/GF1922 Function

If the GV-Reader is connected to GV-AS Controller through Ethernet, do not select the checkbox below.

	Serial Number	Connection Status
<input type="checkbox"/>	ID 0 <input style="width: 100px;" type="text"/>	
<input checked="" type="checkbox"/>	ID 1 <input style="width: 100px;" type="text"/>	

GeoFinger Server IP Address : (from 1025 to 65535)

GF1901/GF1902/GF1911/GF1912 Function

If GF1901/GF1902/GF1911/GF1912 is connected to GV-AS Controller through Ethernet, do not select the checkbox below.

	Serial Number	Connection Status
<input type="checkbox"/>	<input style="width: 100px;" type="text"/>	

Extended Device

- Extended Reader

- Type the barcode of the GV-Wiegand Capture under **Serial Number**.



- Swipe an access card at the connected Wiegand reader **twice**. The Connection Status on the Web interface of GV-EV48 should turn green.

EV48 Extended Reader Configuration

GV-Reader/CR420/GF1921/GF1922 Function

If the GV-Reader is connected to GV-AS Controller through Ethernet, do not select the checkbox below.

	Serial Number	Connection Status
<input type="checkbox"/>	ID 0 <input style="width: 100px;" type="text"/>	
<input checked="" type="checkbox"/>	ID 1 <input style="width: 100px;" type="text" value="00011143745"/>	<div style="width: 20px; height: 20px; background-color: green; display: inline-block;"></div>

GeoFinger Server IP Address : (from 1025 to 65535)

GF1901/GF1902/GF1911/GF1912 Function